

FAG

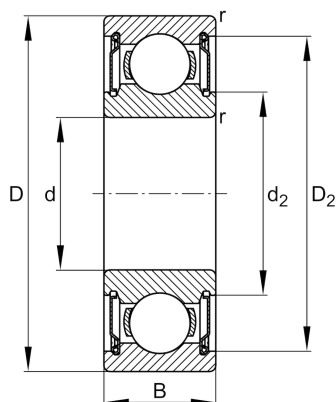
**6016-H-2Z-SN**

Deep groove ball bearing

Schaeffler ID:  
0949140010000

Deep groove ball bearing 60..-H-2Z, single row, H-Series, shields, steel sheet metal cage

## Technical information



## Main Dimensions &amp; Performance Data

d	80 mm	Bore diameter
D	125 mm	Outside diameter
B	22 mm	Width
$C_r$	42.330 N	Basic dynamic load rating, radial
$C_{0r}$	35.640 N	Basic static load rating, radial
$C_{ur}$	2.190 N	Fatigue load limit, radial
$n_G$	6.400 1/min	Limiting speed
$n_{gr}$	6.200 1/min	Reference speed
	0,839 kg	Weight

## Dimensions

$r_{min}$	1,1 mm	Minimum chamfer dimension
$D_2$	113,5 mm	Caliber diameter outer ring
$d_2$	91,6 mm	Caliber diameter inner ring

## Mounting dimensions

$d_{amin}$	86 mm	Minimum diameter shaft shoulder
$D_{amax}$	119 mm	Maximum diameter of housing shoulder
$r_{amax}$	1 mm	Maximum fillet radius

## Calculation factors

$f_0$	15,8	Calculation factor
-------	------	--------------------

## Temperature range

$T_{min}$	-20 °C	Operating temperature min.
$T_{max}$	120 °C	Operating temperature max.

